

ONE STAR EXPORT HOUSE



MINI FABRICATION

Solution For Your Progress,
Easy & Maximum Storage

FACTORY : Gut No. 70, Plot No. 2, Jogmarge Pada, Survey No. 28/2, Wada Vasind Road, Village Kambare, Post Abitghar, Taluka Wada, Dist. Palghar - 421303 (M.S.), Ph.: 02526-228012

OFFICE : B.404/405, Neelkanth Business Park, 4th Flr, Nathani Rd., Opp. Railway Station, Vidyavihar (W), Mumbai - 400086
Tel. (0): +91-22-2509 0013/14/15 | Fax.: +91-22-2509-0016 | Resi.: +91-22-2102 2846 / 2510 3491



12 fold upright
16 fold beam

02

CONTENTS



About Us

04

Mission & Vision

05

Quality Assurance

06

**Manufacturing
Process Flow Chart**

07

Products

08

**Heavy Duty
Components**

09

**Slotted Angle
Shelving System**

10

Type of Slotted Angle

11

**Medium Duty
Shelving System**

12

Mezzanine Floor

13

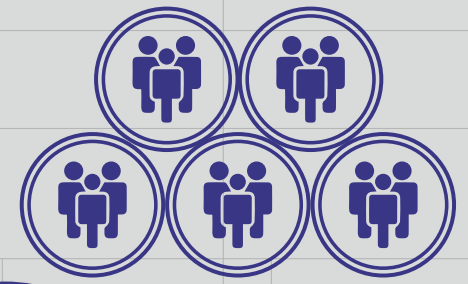
Unistrut Channel

14

Our Clients

15

04 About Us



Mini Fabrication is actively engaged in businesses that extend from the manufacturing of top quality metalwork, industrial processes, machinery and equipment, flat steel products, easy-to-assemble steel storage system to strategic IT solutions.

Coupled with extensive distribution network and wide customer network established over the years, Mini Fabrication's uncompromising principle in providing products of the finest quality to all of the customers has garnered itself remarkable growth over the years; apart from respectable recognition as the leading manufacturer and design innovator of metalwork and palm oil machineries, steel products and storage systems.





Mission & Vision

Mini Fabrication aims to achieve its visions through persistent research and development activities, tactful marketing and channel distribution strategies, providing highest quality products as well as customer-first services in order to capture market shares, generate new application segment and stimulate exponential growth for the entire company.

Mini Fabrication envisages becoming the top machinery and steel products provider in Asia by offering products that are practical, innovative and come with first-class quality coupled with unparalleled customer experience and services.

Mini Fabrication aspires to maximise the reach of all of its products to virtually every practical application whether it is in heavy industries, commercial or domestic usages, helping all its customers to create maximum reliable storage capacity in limited land area while saving valuable time.

Land is scarce, and Mini Fabrication wants to provide the best solutions and becomes the ultimate space maker for your storage capacity at the lowest possible land cost.



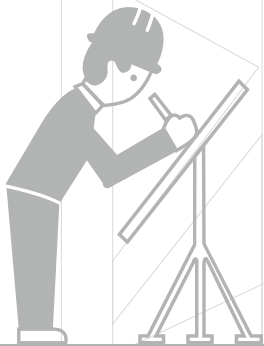
06



Quality Assurance

OUR QUALITY

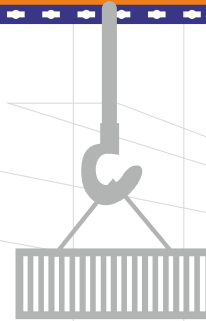
Mini Fabrication places great emphasis to ensure that every product that leave that plant carries the highest quality and recognized commitment of Mini Fabrication towards delivering top quality products to the customers. This is particular crucial in today's competitive and demanding business environment. Mini Fabrication strives for the best quality governed by high production standards through the deployment of advanced technologies and techniques, coupled with stringent quality control system as well as Mini Fabrication's in-depth knowledge and extensive experience in its own manufacturing capabilities.



OUR POLICY

Mini Fabrication is committed to achieve the company's visions through consistent fulfilment of the expectations and requirements of the valued customers. The quality policies include:

- **Customer satisfaction always come first**
- **Constant review of quality management for effectiveness and improvement**
- **Continual improvement to achieve cost effectiveness and to deliver quality products**
- **Continual R & D improvements for products and services excellence**
- **Compliance to QMS requirements**





Manufacturing Process Flow Chart



SLITTING



PUNCHING



BENDING



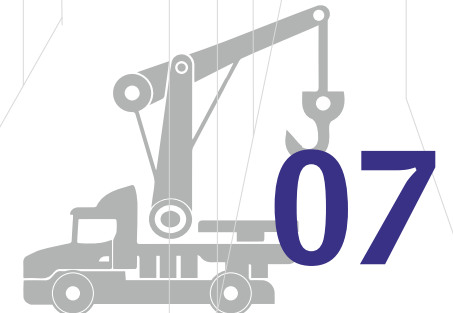
AUTOMATIC WELDING



POWDER COATING



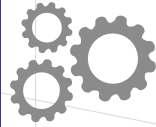
FORMING & CUT





Products 08

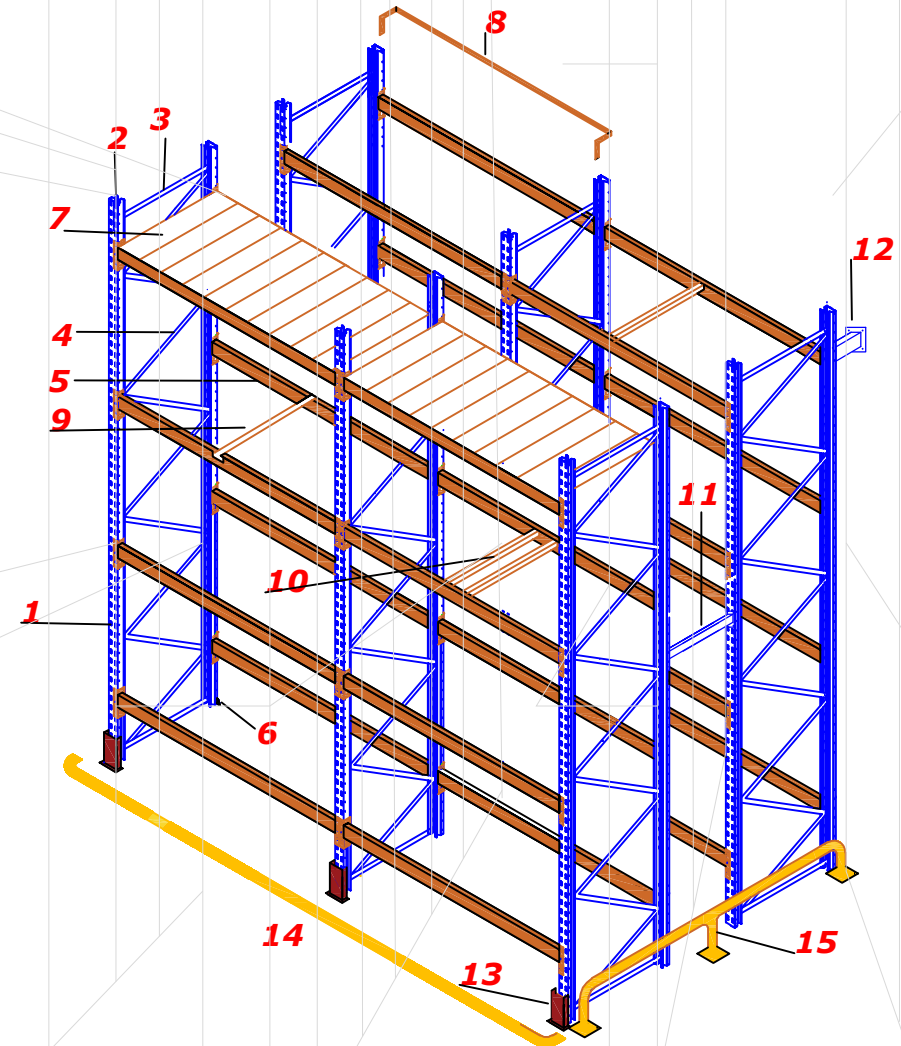
Heavy Duty



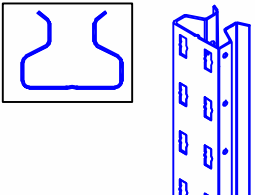
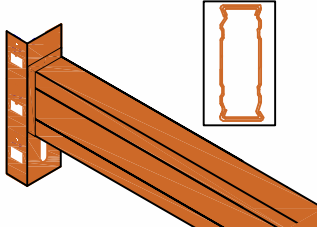
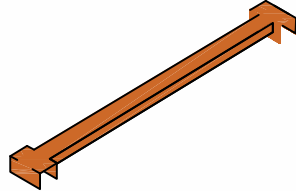
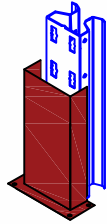
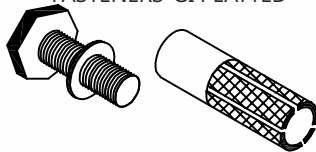
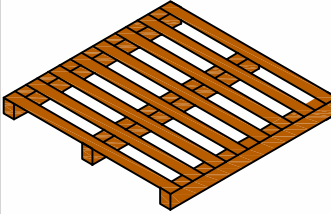
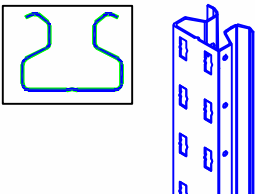
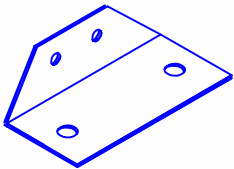
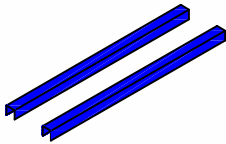
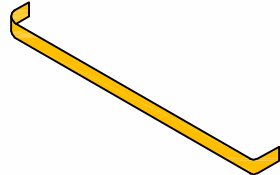
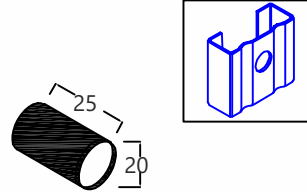
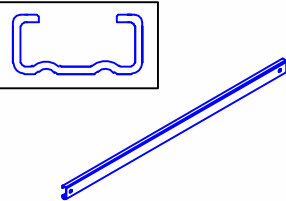
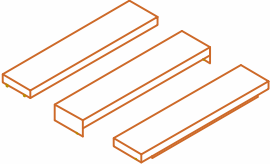
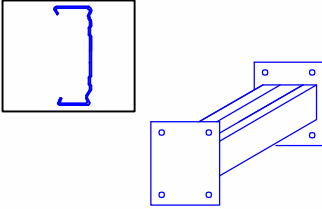
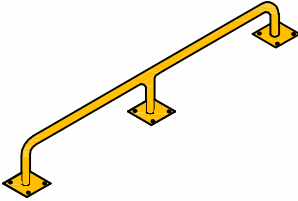

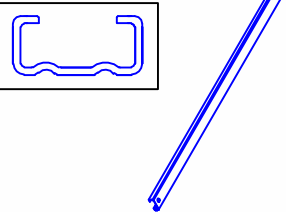
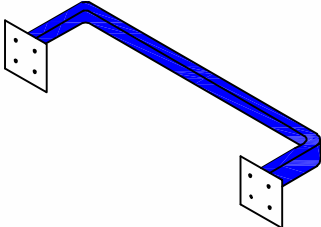
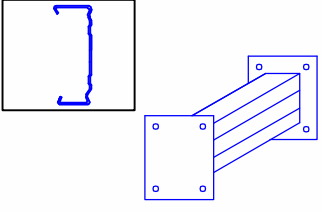
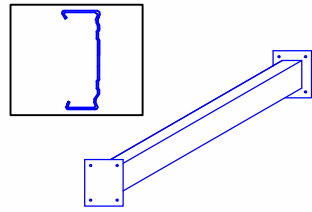
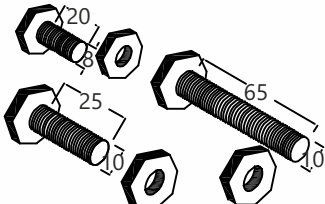
- Mini fabrication offers heavy duty steel racking can take up to tons of weight.
- The strength tested product is highly durable.
- The product is popular for the storage system for floor planless.
- A bootless chip on heavy duty storage system that are easy in stalling and shifty.
- Custom built for any land, width and height.
- Ideal for pelletized and non-pelletized stores.
- Clod formed light gauge sections with high strength to weight ration.

Salient Features & Benefits

- Heavy Duty Construction
- Versatility
- Flexibility In Configuration
- Safe Design Parameters
- Safety During Usage
- Superior Process Control
- Wide Range of Component & Surface Coating



Heavy Duty Components

<p>1) UPRIGHT (10 FOLD)</p> 	<p>5) BEAM WITH LEAP CONNECTOR</p> 	<p>9) PALLET SUPPORT BAR</p> 	<p>13) COLUMN PROTECTOR</p> 	<p>17) DROPIN ANCHOR FASTENERS GI PLATTED</p> 	<p>21) PALLET</p> 
<p>2) UPRIGHT (12 FOLD)</p> 	<p>6) BASE PLATE</p> 	<p>10) PALLET SUPPORT BAR</p> 	<p>14) FORKLIFT GUIDE</p> 	<p>18) PIPE BRACING CLEAT</p> 	
<p>3) HORIZONTAL BRACING</p> 	<p>7) DECKING PANEL</p> 	<p>11) ROW CONNECTOR</p> 	<p>15) FRAME PROTECTOR</p> 	<p>19) BEAM LOCK KEY</p> 	
<p>4) CROSS BRACING</p> 	<p>8) LOAD STOP BARRIERS</p> 	<p>12) WALL CONNECTOR</p> 	<p>16) TIE MEMBER</p> 	<p>20) FASTNER- BOLT NUT</p> 	

09



Slotted Angle Shelving System



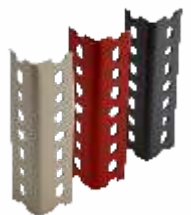
COMPONENTS OF SLOTTED ANGLE RACK



40x40



60x40



80x40



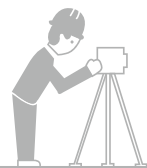
Rubber shoe



M.s panels



Nuts bolts





Types of Slotted Angle



OPEN SLOTTED ANGLES RACK

Slotted angle is versatile, time and cost effective material available for building carts, ladders, benches, Shelving cares. Slotted angle is finished shing colour.

2 SIDE CLOSE RACK

We are instrumental in manufacturing supplying and exporting two side close Rack which can be customized. We ensure flawlesness it there racks.

3 SIDE CLOSE RACK

Three side close slotted angle rack designed from the vertical angle & Horizontal angle. Shelves angle with the accessories made from prime quality steel with to day modern storage systems

PIGEON HOLE RACK

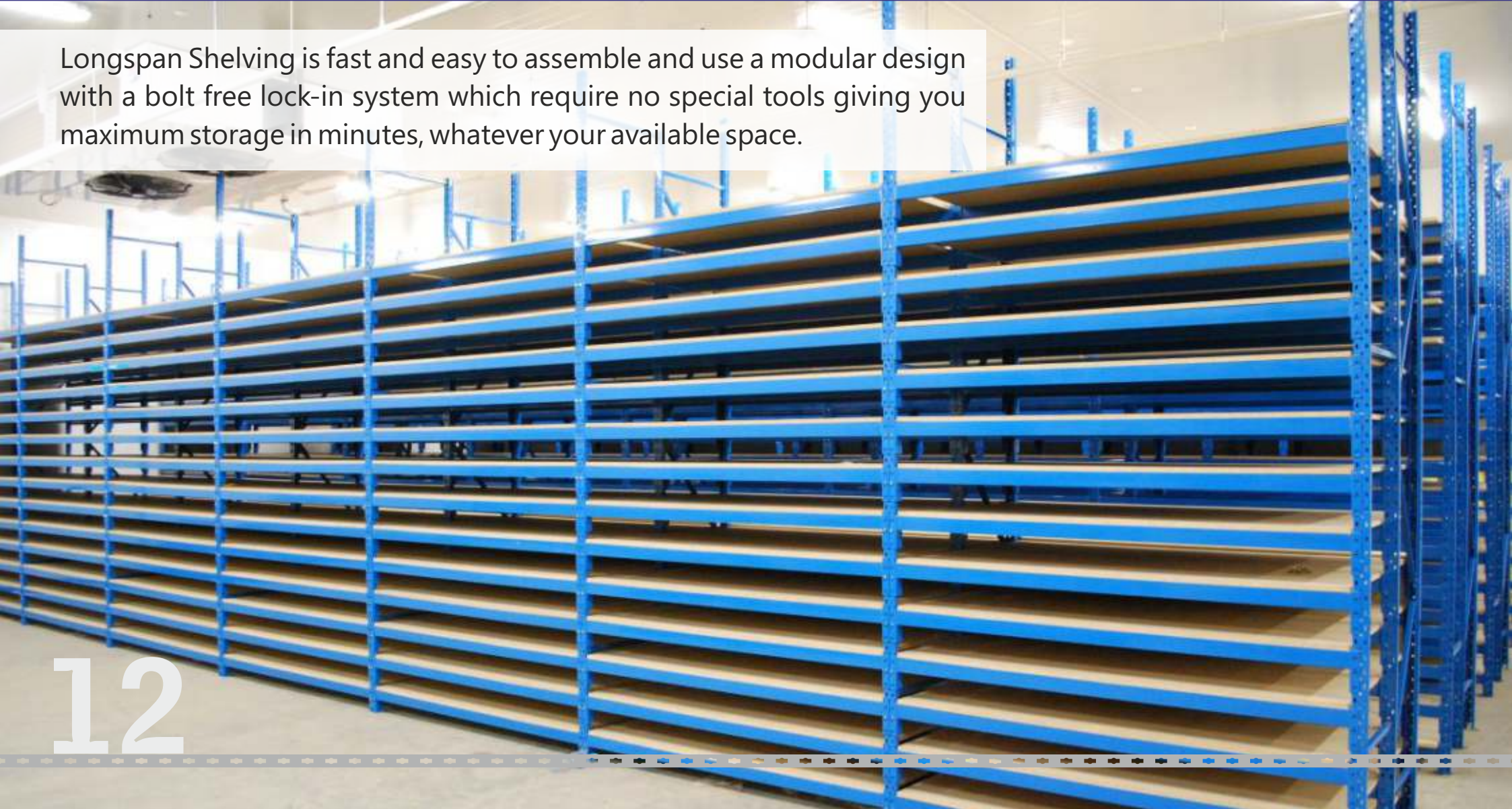
we are introducing ourselves as one of the pioneering of multi range pigeon Hole Rack for a wide Variety of users. With our technically advanced manufacturing. We can select this racks aign accordance to the components of customer.





Medium Duty Shelving

Longspan Shelving is fast and easy to assemble and use a modular design with a bolt free lock-in system which require no special tools giving you maximum storage in minutes, whatever your available space.



12



Mezzanine Floor



Features

- A strong stable new floor to hold additional storage.
- Can be designed to offer the greatest clear space on the ground for additional activities / storage.

Users

- Industries
- Pharma Industries
- Warehouse
- Logistic Companies
- Others

Benefits

- Enable you to maximise the usable night within your warehouse.
- Reduces cost of Construction by allowing efficient use of space.
- No extra costs for heat, light or Air conditioning.
- Ca be easily enlarged, modified or moved.
- Two tier wide space racks.
- Gives additional space without adding ratable value to your property.

13



UNISTRUT CHANNEL



Unistrut channel have been helping to build a better world used extremels in nuclumn inellstrial and commercial construction metal framing horse the standard.

The initial unistrut concept simple spring net and bold connoting fitting to a continue slotted channel.

This is available in mild steel, Pre-galvanised, Hot-Dip galvanised.

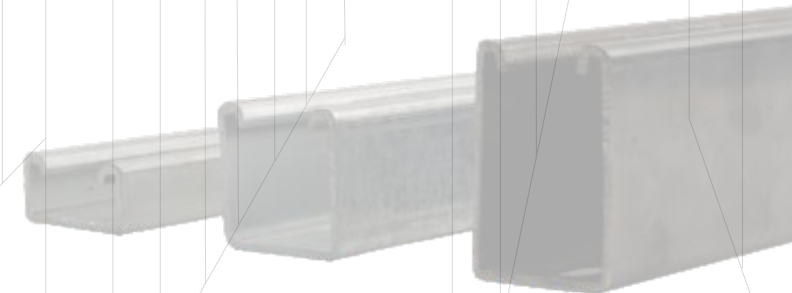
14



41x21



41x41



OUR CLIENT



भारत सरकार
GOVERNMENT OF INDIA
वाणिज्य एवं उद्योग मंत्रालय
MINISTRY OF COMMERCE & INDUSTRY
विदेश व्यापार महानिदेशालय
DIRECTORATE GENERAL OF FOREIGN TRADE

मान्यता प्रमाण पत्र
Certificate of Recognition
एक सितारा निर्यात सदन
ONE STAR EXPORT HOUSE 030115000120

MINI FABRICATION
मैसर्स.....B/405, NEELKANTH BUSINESS PARK, NATHANI ROAD, VIDHYA
VIHAR-WEST, MUMBAI-MS-400086
(आई ई सी0312027729 और आयकर पैनAARFM5159P)

को विदेश व्यापार नीति, 2015-2020 के प्रावधानों के अनुसार एक सितारा निर्यात सदन का स्तर प्रदान किया जाता है। यह प्रमाण पत्र, प्रक्रिया पुस्तक (2015-2020) के पैरा 3.20 (बी) में दी गयी शर्तों के निहित ^{FIVE} वर्षों की अवधि के लिए दिनांक ^{10.02.2016} से ^{09.02.2021} तक वैध होगा।

MINI FABRICATION
M/s.....B/405, NEELKANTH BUSINESS PARK, NATHANI ROAD, VIDHYA
VIHAR-WEST, MUMBAI-MS-400086
(IEC0312027729 and Income Tax PANAAREM5159P)

are hereby accorded the status of One Star Export House in accordance with the provisions of the Foreign Trade Policy, 2015-2020. This Certificate is valid for a period of ^{five} years effective from ^{10.02.2016} to ^{09.02.2021} subject to the conditions prescribed in Para 3.20(b) of the Hand Book of Procedures (2015-2020).

सं./No. **A/ 3143**
तारीख/Date: 15.02.2016
स्थान/Place: Mumbai


B.P. HUNKER
अपर/संयुक्त/उप महानिदेशक,
विदेश व्यापार/विकास-आयुक्त (एन.ई.जेड.)
Additional/ Joint/ Deputy
Director General of Foreign Trade/
Development Commissioner (SEZ)

03/21/058/80184/AM16/ 10.02.2016
(फाइल सं./File No.) तारीख/Date :



www.minifastindia.com

MINIFABRICATION

MANUFACTURERS, DESIGNERS & INSTALLER
OF ALLIED INDUSTRIAL STORAGE SYSTEM

FACTORY : Gut No. 70, Plot No. 2, Jogmarge Pada, Survey No. 28/2, Wada Vasind Road, Village Kambare,
Post Abitghar, Taluka Wada, Dist. Palghar - 421303. (M.S.), Ph.: 02526-228012

OFFICE : B-404/405, Neelkanth Business Park, 4th Floor, Nathani Rd., Opp. Railway Station, Vidyavihar (W), Mumbai - 400086.
Tel. (0): +91-22-2509 0013/14/15 | Fax.: +91-22-2509-0016 | Resi.: +91-22-2102 2846 / 2510 3491